

MECHANICAL SPECIFICATIONS

FIXTURE

Dimensions:

mm: 596 x 639 x 959
in: 23.5 x 25.2 x 37.8

ROAD CASE

Dimensions:

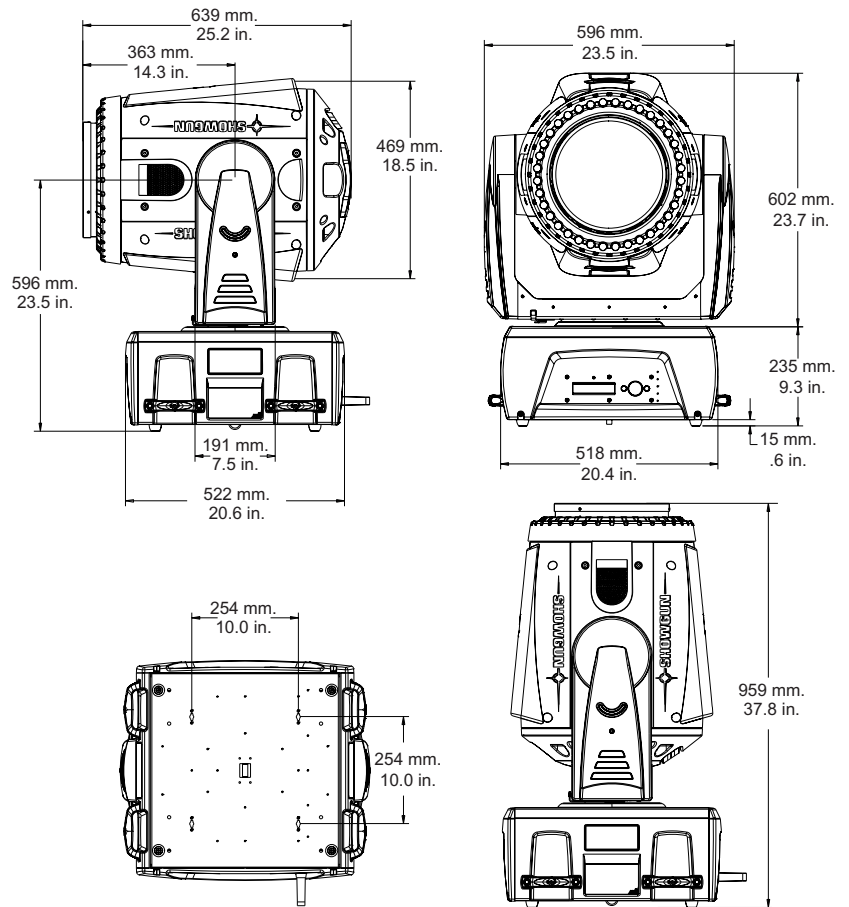
mm: 749 x 1200 x 724
in: 29.5 x 47.25 x 28.5

Fixture Weight: 63.5kg (140 lb)

Shipping Weight: (Road Case + fixture): 118kg (260 lb)

Mounting Information: The SHOWGUN® 2.5 fixture can be truss mounted using 1/4 camlock c-clamps or style pole mounting brackets. It can also stand upright on a stable surface.

Colors Available: Black



**ELECTRICAL SPECIFICATIONS/
LIGHT SOURCE**

Power Consumption: 16 Amps at 208 V, 13.75 Amps at 240 V

Lamp: PHILIPS MSR 2500/2 SA

Power: 2500W
Color Temperature: 7000K
Lamp Life 50%: 750 hrs
CRI: >80
CIE: X=.320; Y=.330

OPERATION

Pan: 420°

Tilt: 216°

Zoom Range: 9° – 18°

Fixture Output: 130,000 Lumens*

DMX Connectors: 5-pin XLR

Environmental Specifications:

Maximum Ambient Temperature (T_a) 45°C (113°F)
Minimum Distance to Flammable Objects 5 m (16.4 ft)
Maximum Exterior Surface Temperature 150°C (302° F)
Minimum Focus Distance to **Non-flammable** object 3 m (9.8 ft)

Compliances: ETL, CE

* 3 points (center, middle, and edge)

PART NUMBERS

Fixture

A9010001: SHOWGUN fixture, Black

Accessories

55030087: Replacement Lamp

DMX Channels

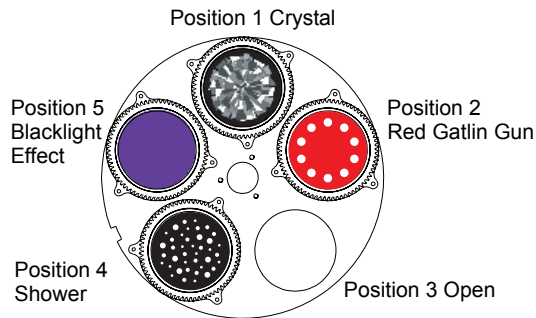
Channel	Function
1	Pan
2	
3	Tilt
4	
5	Color Function
6	Cyan
7	Magenta
8	Yellow
9	Litho Wheel Position
10	Litho Rotate Function
11	Litho Rotate
12	
13	Soft Edge
14	Zoom
15	Focus

Channel	Function
16	Iris
17	Shutter/Lamp Functions
18	Shutter
19	Dimmer
20	MSpeed
21	Macro
22	Control
23	LED Tracking Dim
24	LED Tracking Function
25	LED Tracking Red
26	
27	LED Tracking Green
28	
29	LED Tracking Blue
30	

Fixture/Universe: 17

Gobo Wheel

Position	Description	Part Number
1	Crystal, Litho	A1141095
2	Red Gatlin Gun, Litho	A1142029
3	Open	NA
4	Shower, Litho	A1141471
5	Blacklight Effect	80510331



LithoPattern Specifications

Diameter: 64.9 mm ± .23 mm (2.56in ± .008in)

Maximum image area: 59.69 mm ± 0.25 mm (2.35 in ± .01 in)

Concentricity of Clear Aperture: ± .18 mm (.007 in)

Maximum Thickness: 2.80 mm (.11 in)

© 2008, High End System, Inc. All specifications subject to change without notice.

High End Systems, Inc.
 2105 Gracy Farms Lane
 Austin, TX 78758 USA
 voice:512.836.2242
 fax:512.837.5290
 Toll Free: 800.890.8989

Customer Service
 2105 Gracy Farms Lane
 Austin, TX 78758 USA
 voice:800.890.8989
 fax: 512.834.9195
 Toll free: 800.890.8989