

MECHANICAL SPECIFICATIONS

FIXTURE (WITH YOKE) **BOXED FOR SHIPPING**
Dimensions: **Dimensions:**
mm: 294 x 521 x 616 **mm:** 480 x 657 x 784
in: 11.6 x 20.5 x 24.2 **in:** 19 x 26 x 31

Fixture Weight: 22.4 kg (49 lb)
Shipping Weight: 29 kg (63 lb)

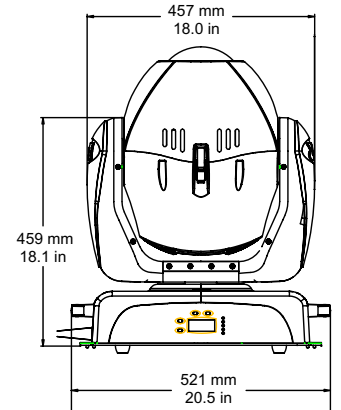
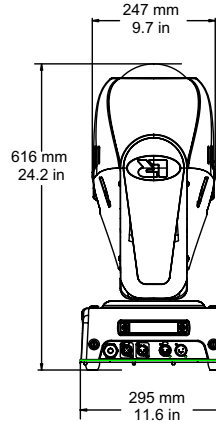
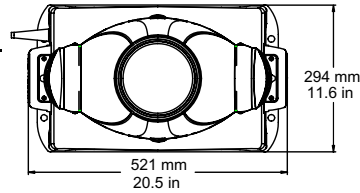
Mounting Information: Mount the Studio Beam fixture to a standard truss by attaching suitable clamps with locking washers through the center holes on the base.

Cheeseborough truss clamps and 1/2" nut/bolt sets may be purchased separately.

The Studio Beam fixture can also stand on its rubber feet on a sturdy, stable surface.

Turning Radius: 457 mm (18 in)

Colors Available: Black



ELECTRICAL SPECIFICATIONS/LIGHT SOURCE

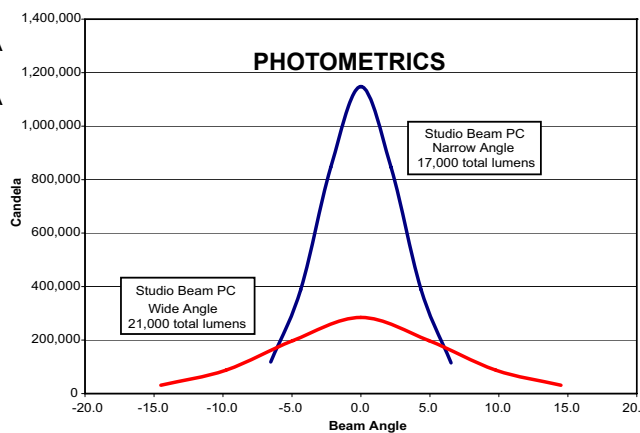
Power Consumption: 100V 50HZ @ 10A
 230V 50HZ @ 4.35A
 100V 60HZ @ 10A
 230V 60HZ @ 4.35A

Rated Power: 800 W maximum

Power Factor: 100V, 60HZ: 0.98
 230V, 50HZ: 0.98

Lamp:	Color Temp	Lamp Life
GE MSR 700 SA	7000K	500 hrs
PHILIPS MSR 700 SA	5400K	400 hrs

Light Output: 20,000+ ANSI lumens



Center Beam Candela: 117,000

Beam Angle Degrees: 8

Field Angle Degrees: 15

$$\text{Illuminance} = \frac{\text{Candela}}{\text{Distance}^2}$$

Throw	Center Beam	Beam Diameter	Field Diameter
5	46,800	0.7	1.3
10	11,700	1.4	2.6
15	5,200	2.1	3.9
20	2,925	2.8	5.3
25	1,872	3.5	6.6
30	1,300	4.2	7.9
35	955	4.9	9.2
40	731	5.6	10.5
45	578	6.3	11.8
50	468	7.0	13.2
55	325	7.7	14.5
60	330	8.4	15.8
65	277	9.1	17.1
70	239	9.8	18.4
75	208	10.5	19.7
80	183	11.2	21.1
85	162	11.9	22.4
90	144	12.6	23.7
95	130	13.3	25.0
100	117	14.0	26.3

Note:

For Metric figures, read "Center Beam" values in lux, and the throw and diameters in meters.

For US figures, read "Center Beam" values in footcandles, and the throw and diameters in feet.

OPERATION

Pan: 540°

Tilt: 256°

Zoom: Yes

Field Angle: 15° - 30°

Software Upgrades: Download operating software from the High End Systems website (www.highend.com) and upload using Echo Software.

Compliances: CE, CETL, and ETL compliant.

Environmental Specifications:

Maximum Ambient Temperature (T_a): 50°C (122°F)

Maximum Exterior Surface Temperature: 90°C (194°F)

Minimum Distance to flammable Objects: 1 m (3.9 ft)

Minimum Distance to lighted object: 2 m (6.56 ft)

PART NUMBERS

Fixture:

50010001: Studio Beam High Intensity Luminaire

Flight Cases:

50070002 - Road Case, Studio Beam, Dual Fixture Standard

50070003 - Road Case, Studio Beam, Dual Fixture Pr o

Replacement Lamps:

55030054: Philips MRS 700 SA Replacement Lamp

55030090: GE MSR 700 SA Replacement Lamp

DMX Control

Control Options: DMX-512, On Board Programming/Playback, Internal Effects

Address Methods: LED Display, Fixture Talkback

DMX/RDM Data Connectors: 3-pin and 5-pin male and female XLR connectors

DMX Channels

Channel	Function
1	Pan
2	
3	Tilt
4	
5	Color Function
6	Cyan
7	Magenta
8	Yellow
9	Beam Shaping
10	Zoom
11	Frost
12	Shutter
13	Dim
14	Motor Speed
15	Macro
16	Control

Color Mixing



Studio Beam features CMY subtractive color mixing.

Each color mixing wheel includes an additional fixed color:

Cyan Color Wheel includes:

- Cyan color mixing portion
- Deep Red

Magenta Color Wheel includes:

- Magenta color mixing portion
- CTO

Yellow Color Wheel includes:

- Yellow color mixing portion
- Deep Blue

© 2009, Barco Lighting Systems, Inc. All specifications subject to change without notice.

Barco Lighting Systems, Inc.

2105 Gracy Farms Lane
Austin, TX 78758 USA
voice:512.836.2242
fax:512.837.5290
Toll Free: 800.890.8989

Customer Service

2105 Gracy Farms Lane
Austin, TX 78758 USA
voice:800.890.8989
fax: 512.834.9195
Toll free: 800.890.8989